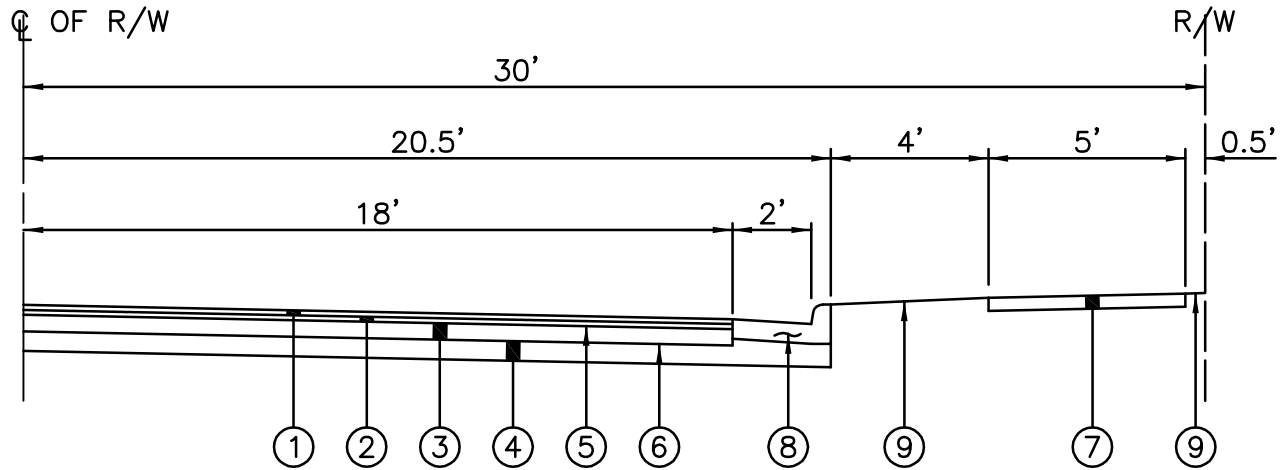




# TYPICAL SECTION COLLECTOR STREETS (ZONED INDUSTRIAL AND COMMERCIAL)



- ① ITEM 404 - 1 1/2" ASPHALT CONCRETE
- ② ITEM 402 - 1 1/2" ASPHALT CONCRETE
- ③ ITEM 301 - 9" BITUMINOUS AGGREGATE BASE
- ④ ITEM 304 - 6" AGGREGATE BASE
- ⑤ ITEM 407 - TACK COAT (0.08 GALLONS PER SQ. YD.)
- ⑥ ITEM 408 - PRIME COAT (0.40 GALLONS PER SQ. YD.)
- ⑦ ITEM 608 - 4" CONCRETE WALK
- ⑧ ITEM 609 - CONCRETE CURB
- ⑨ ITEM 659 - SEEDING AND MULCHING