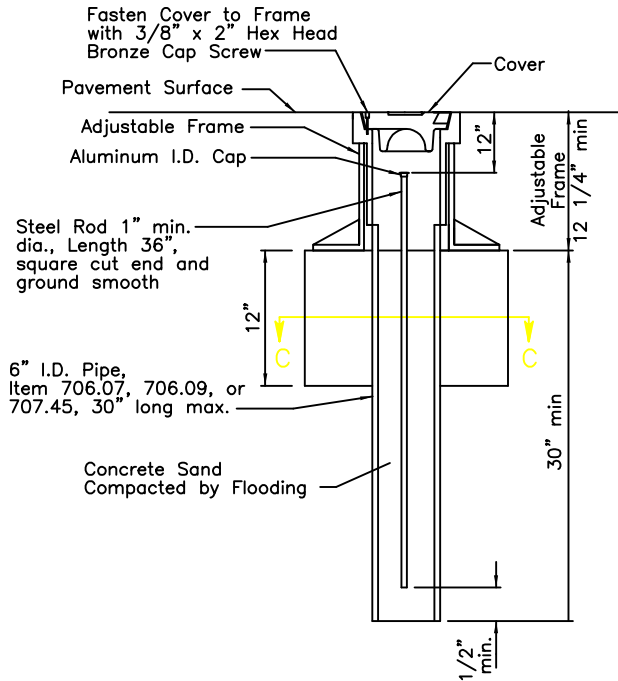


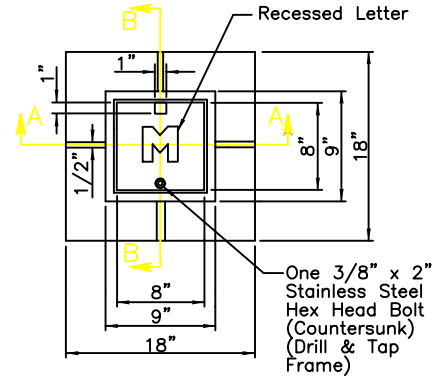


CITY OF MASSILLON ENGINEERING
151 LINCOLN WAY EAST
MASSILLON, OHIO (330)830-1722
FAX: (330)830-1786

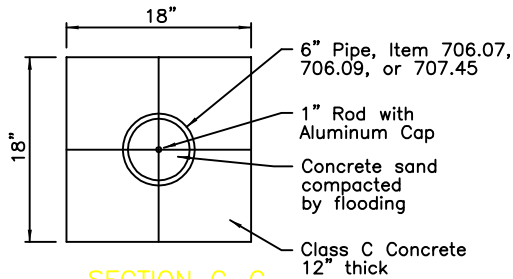
CENTERLINE MONUMENT DETAILS



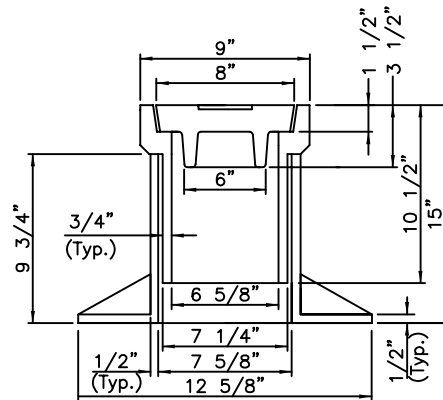
SIDE VIEW



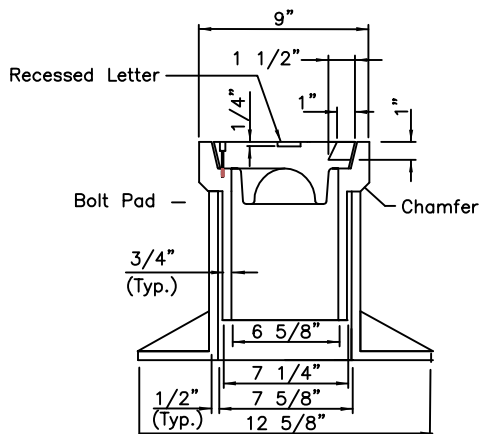
TOP VIEW



SECTION C-C



SECTION A-A



SECTION A-A

MONUMENTS

Monuments shall be constructed in accordance with detail as shown on the standard construction drawings and at the locations on previous sheets.