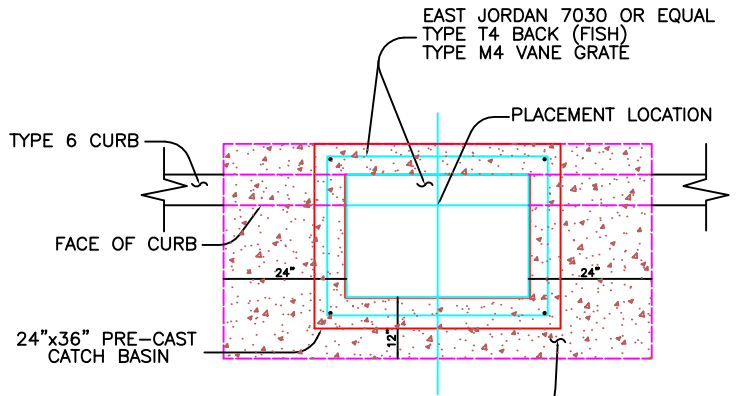
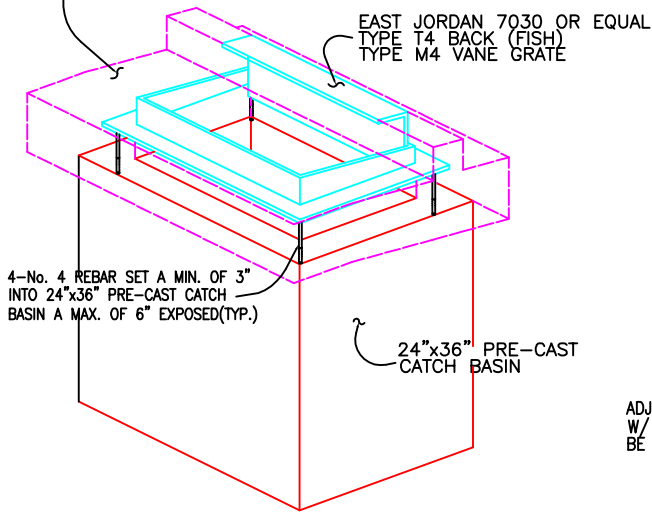


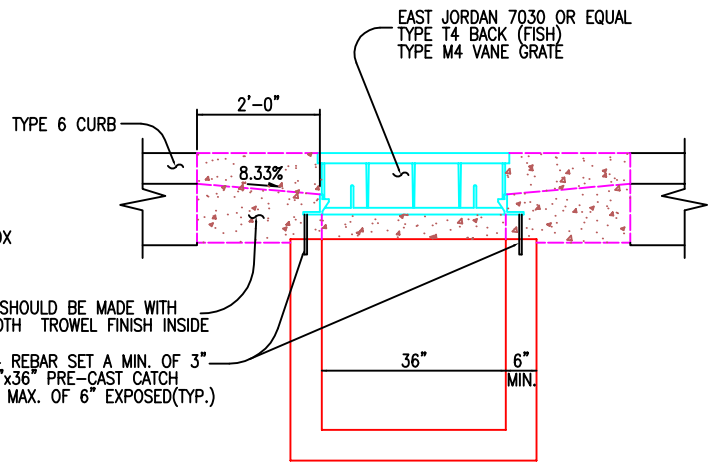
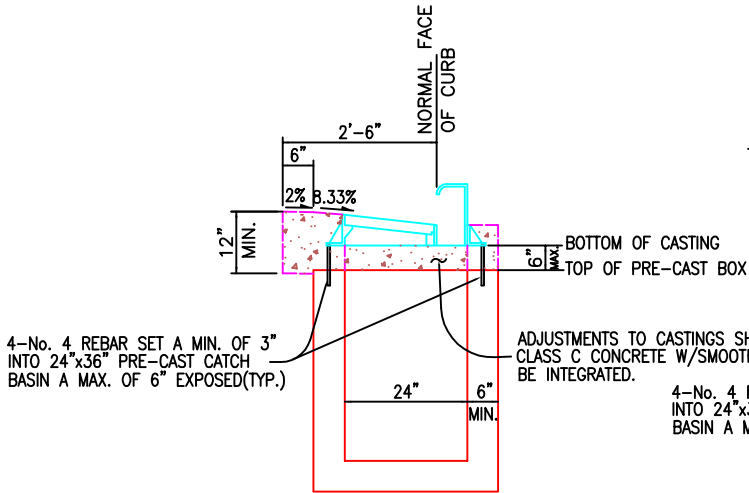


# CATCH BASIN DETAIL

ADJUSTMENTS TO CASTINGS SHOULD BE MADE WITH CLASS C CONCRETE W/ SMOOTH TROWEL FINISH INSIDE. CURB AND CONCRETE BOX OUT MAY BE INTEGRATED.



ADJUSTMENTS TO CASTINGS SHOULD BE MADE WITH CLASS C CONCRETE W/ SMOOTH TROWEL FINISH INSIDE. CURB AND CONCRETE BOX OUT MAY BE INTEGRATED.



## Massillon Curb Inlet (MASS CI-1)